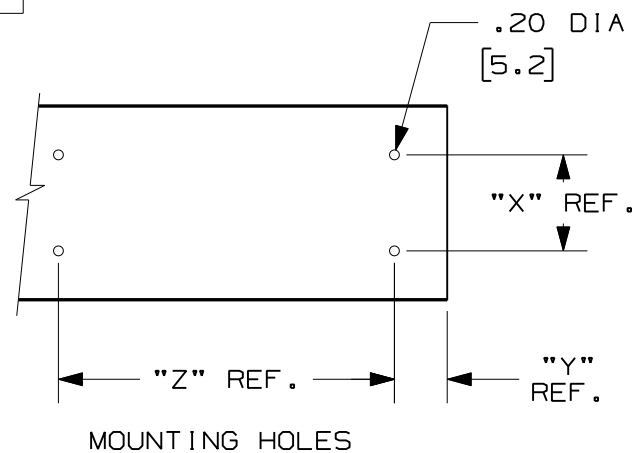
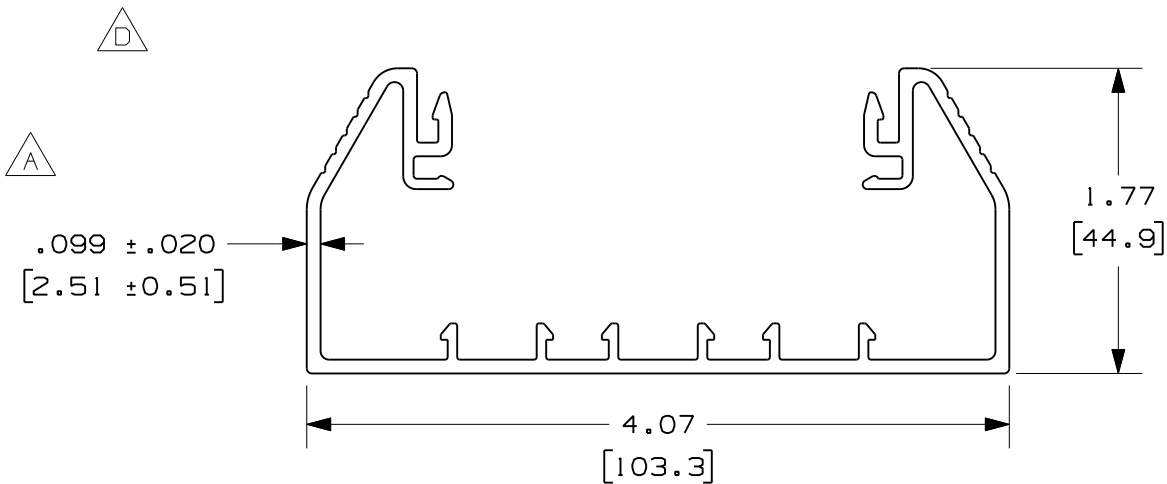


THIS COPY IS PROVIDED ON A RESTRICTED BASIS AND IS NOT TO BE USED IN ANY WAY DETRIMENTAL TO THE INTERESTS OF PANDUIT CORP.

PANDUIT PART NUMBER	LENGTH $\triangle C$	WEIGHT	MOUNTING HOLE DIM.		
			"X"	"Y"	"Z"
$\triangle B$ T70B**6	72.00 IN $\pm .18$ IN (1828mm $\pm 4.5$ mm)	3.13 LB/ 72.00 IN (1419g/1828mm)	1.87 (47.5)	4.00 (101.6)	8.00 (203.2)
T70B**8	96.00 IN $\pm .18$ IN (2438mm $\pm 4.5$ mm)	4.17 LB/ 96.00 IN (1891g/2438mm)	1.87 (47.5)	4.00 (101.6)	8.00 (203.2)
T70B**10	120.00 IN $\pm .18$ IN (3048mm $\pm 4.5$ mm)	5.21 LB/ 120.00 IN (2363g/3048mm)	1.87 (47.5)	4.00 (101.6)	8.00 (203.2)
T70B**2	78.74 IN $\pm .18$ IN (2000mm $\pm 4.5$ mm)	3.42 LB/ 78.74 IN (1551g/2000mm)	1.87 (47.5)	3.37 (85.6)	8.00 (203.2)
$\triangle F$ T70B**3	118.1 IN $\pm .18$ IN (3000mm $\pm 4.5$ mm)	5.13 LB/ 118.1 IN (2327g/3000mm)	1.87 (47.5)	3.37 (85.6)	8.00 (203.2)

$\triangle E$  NOTES:

1. SEE CURRENT CATALOG FOR ADDITIONAL PART SUFFIXES TO INDICATE COLORS AND/OR PACKAGE QUANTITY.
2. THE T70B IS USED WITH THE T70C RACEWAY COVER.
3. DIMENSIONS IN PARENTHESIS ARE IN METRIC.



CAD FILENAME/LAYERS D37753BA\_DC\_T70B\_00D.prt

**PANDUIT** CORP. TINLEY PARK, ILLINOIS  
**T70 BASE (T70B)**  
 CUSTOMER DRAWING

REV	DATE	BY	CHK	DESCRIPTION	ECN	CHK	CUST	SUP
3	10-05-08	BDK	BKR	F. ADDED T70B**3 E. REVISED NOTES	37753-03	RTFI	RTFI	
2	5-18-04	UBN	BKR	D. REMOVED T70B**3 PART NUMBER	37753-03	RGRO	RGRO	
-	-----	---	---	C. REVISED LENGTH TOLERANCE .18 WAS .13	37753-03	----	----	
1	1-21-04	UBN	BKR	B. ADDED PART NUMBER T70B**6 A. REVISED DIMENSION .099 WAS .092	37753-03	RGRO	RGRO	
R	5-29-01	REWE	BKR	RELEASED TO PRODUCTION	37753-03	HIW	HIW	

UNLESS OTHERWISE SPECIFIED, DIMENSIONAL TOLERANCES ARE: (.X) $\pm$ (.XXX) $\pm$ (.XX) $\pm$ .03(.8) ANGLES $\pm$		UNLESS OTHERWISE SPECIFIED, ALL DIMENSIONS ARE GIVEN IN INCHES, THIRD ANGLE PROJECTION.	
DRAWN BY REWE	MAT'L: PVC	SCALE NONE	
DATE 5-29-01	CHECKED BY BKR	DRAWING NO. 37753-03	DWG A SIZE